

MODELS 12-SWT, 14-SWT, 14-NAT, 17-SWT, 17-NAT, 250T, 250NAT GLEN-AIRE
VENTED WALL FURNACES WHEN INSTALLED IN TRAILER COACHES OR MOBILE HOMES

INSTALLATION INSTRUCTIONS



APPROVED BY RECOGNIZED AGENCY

These furnaces have been tested and approved by a nationally recognized testing agency. This approval is contingent upon proper installation. Proper installation is assured by following the simple instructions outlined below.

BEFORE STARTING THE INSTALLATION

Consult applicable state and local codes. Also, read these instructions very carefully.

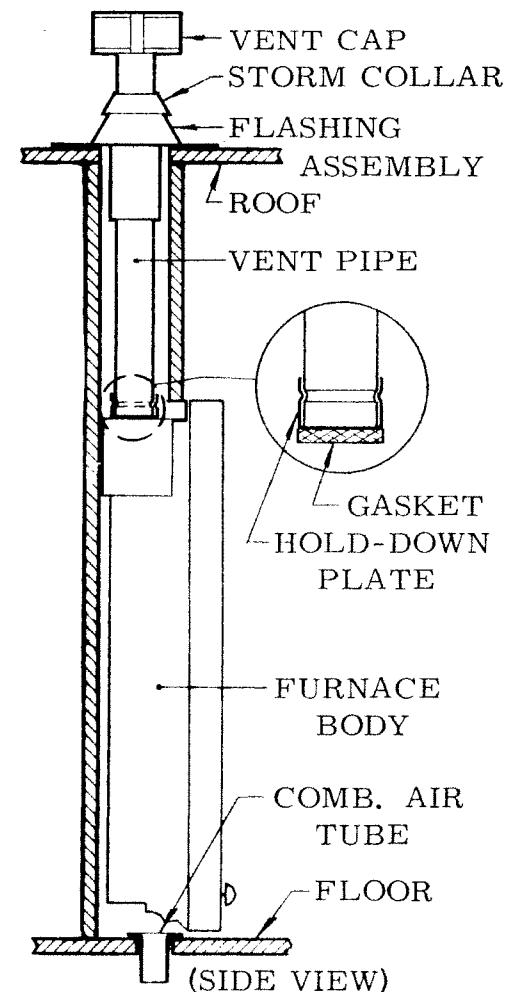
COMPONENTS

As approved, these furnaces are comprised of three major parts, namely: (1) FURNACE BODY consisting of casing, front panel, heating element, drafthood, burner, and gas controls. (2) No. 4-OMVA-GA AMERIVENT VENT ASSEMBLY consisting of one section of vent pipe, one vent cap, one flashing assembly, one storm collar, and one vent hold-down plate. (3) One 3" diameter COMBUSTION AIR TUBE.

The alteration of these components or the use of other components will void the approval.

INSTALLATION

1. Provide a free space---13-3/4" wide for No. 12-SWT, 12-1/4" wide for Nos. 14-SWT, 14-NAT, 17-SWT, and 17-NAT, and 14-3/8" wide for Nos. 250T and 250NAT--- and 4-1/2" deep from front finished wall surface extending from floor to ceiling. When the installation is complete, the sides, back, and front of this space above the furnace body to the ceiling must be completely enclosed to protect the appliance and to prevent combustible materials from contacting surfaces of furnace body and vent assembly. The risers forming the sides of this space must be of at least 1" nominal stock to assure sufficient strength to maintain the proper relationship of all parts.
2. Cut a 3-1/8" diameter hole through floor directly under furnace location and install combustion air tube. When a 3" diameter hole is provided in bottom of furnace body, this hole must be aligned with combustion air tube when furnace is installed. This assures combustion air supply.
3. Openings are provided either in the bottom or near the bottom of the furnace body for routing the gas line to the gas controls. The gas line should now be routed so that it will extend through one of these openings when the furnace is installed. Allow about 10" of gas line to extend for connecting to gas controls.
4. Provide a 10" by 3-3/4" rectangular opening through roof



TYPICAL INSTALLATION

INSTALLATION (Continued)

- directly over furnace location. The long sides of this opening must be parallel to back-wall with rear of opening flush with backwall. Opening must be centered between risers.
5. If furnace equipped with removable wall panel, detach from furnace body by removing four screws.
 6. Place furnace body into wall enclosure with bottom against floor. If small holes in bottom of furnace body are used for routing gas line, insert gas line through hole while furnace body is being positioned. Tabs extending from sides of furnace body, except on No. 12-SWT, act as stops and should be flush with front finished wall surface. With tabs tight against wall, screws should be placed through holes in tabs and into supporting risers behind. The No. 12-SWT should be inserted into the wall enclosure the full depth of 4-1/2" and secured at top and bottom with nails or screws through holes provided.
 7. Insert oval vent pipe section through 10" by 3-3/4" opening in roof. Note "UP" arrow.
 8. Snap hold-down plate onto bottom end of vent pipe section.
 9. Check that glass gasket is in place around flue outlet at top of furnace body. Lower hold-down plate with vent pipe attached into position around flue outlet. Screw hold-down plate to top of furnace body with two No. 8 binder-head sheet metal screws. Holes are provided for these screws. NOTE - AS MEASURED FROM EXTERIOR ROOF SURFACE, 6" LENGTH (MINIMUM) OF VENT PIPE MUST EXTEND ABOVE ROOF SURFACE. IF LESS THAN 6" EXTENDS, THIS PIPE SECTION MUST BE REPLACED WITH ONE OF PROPER LENGTH. SEE CHART BELOW FOR LENGTHS OF PIPE WHICH ARE AVAILABLE FROM APPLIANCE MANUFACTURER.
 10. Slide flashing assembly down over protruding portion of vent pipe. Flashing should rest against roof exterior.
 11. Mastic under flashing and secure tightly into position.
 12. Slide storm collar down over end vent pipe into position against top of flashing assembly. Mastic around top.
 13. Place vent cap into position on top of vent pipe.
 14. Connect gas line to gas controls.
 15. Complete enclosure. Refer to Step No. 1.
 16. If front panel was removed under Step 5, replace with four screws.
 17. Place gas control knob in position on stem of gas control.
 18. Before lighting furnace, check all connections for leaks with soap and water solution. For lighting, follow instructions provided on plate near gas controls.

IMPORTANT

KEEP CONTROL COMPARTMENT CLEAN AT ALL TIMES

VENT ASSEMBLY PART NOS.	
COMPLETE ASSEMBLY	4-OMVA-GA
VENT PIPE	SEE CHART
VENT CAP	4-OC-GA
STORM COLLAR	4-OSC-GA
HOLD-DOWN PLATE	4-OHDS
FLASHING ASSEMBLY	4-OMF2-GA
NOTE - ALL AMERIVENT PARTS	

VENT PIPE AVAILABLE FROM APPLIANCE MANUFACTURER	
LENGTH	PART NO.
31"	AMERIVENT 4-031
32"	" 4-032
33"	" 4-033
34"	" 4-034
35"	" 4-035
36"	" 4-036
37"	" 4-037
38"	" 4-038
39"	" 4-039
40"	" 4-040
41"	" 4-041
42"	" 4-042
43"	" 4-043
44"	" 4-044
45"	" 4-045
46"	" 4-046
47"	" 4-047
48"	" 4-048
49"	" 4-049
50"	" 4-050
51"	" 4-051
52"	" 4-052
53"	" 4-053
54"	" 4-054